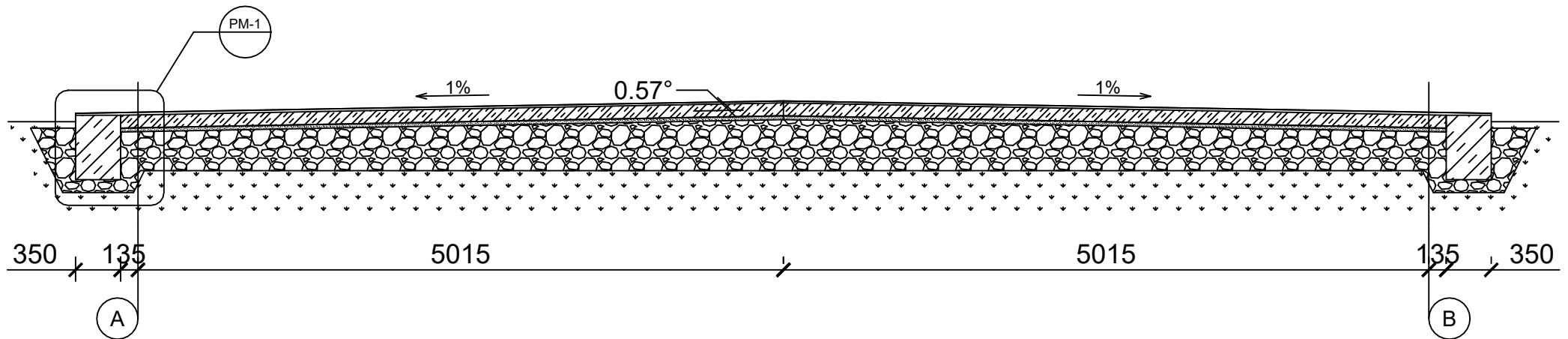


# PADEL COURT / SUB-BASE SECTION 1-1



**tenniskit24**

[www.tenniskit24.com](http://www.tenniskit24.com)